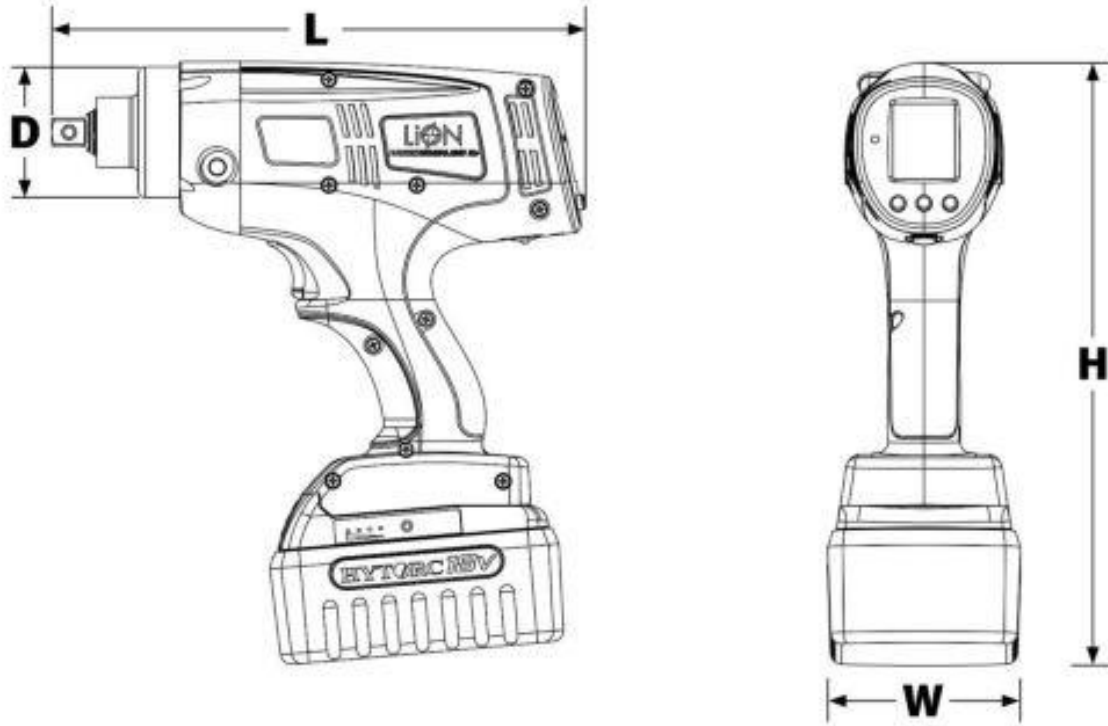


HYTORC®

LION Gun Dimensions



LEGEND: H = HEIGHT W = WIDTH L = LENGTH D = DIAMETER

CONFIGURATION	H	W	L	D	SQUARE DRIVE	WEIGHT	TORQUE		RPM
							ft-lbs (Min)	ft-lbs (Max)	
IMPERIAL									
							in.		lbs.
LIONGUN-.25	10.83	3.47	10.16	2.35	1/2	7.30	25	250	11.6
LIONGUN-.7	10.83	3.47	11.13	2.45	3/4	8.22	70	700	4.1
LIONGUN-.25-BSM	10.83	3.47	10.16	2.35	1/2	7.30	25	250	11.6
LIONGUN-.7-BSM	10.83	3.47	11.13	2.45	3/4	8.22	70	700	4.1
METRIC									
							mm		kg
LIONGUN-.25	275	88	258	60	1/2	3.32	34	339	11.6
LIONGUN-.7	275	88	283	62	3/4	3.74	95	949	4.1
LIONGUN-.25-BSM	275	88	258	60	1/2	3.32	34	339	11.6
LIONGUN-.7-BSM	275	88	283	62	3/4	3.74	95	949	4.1